



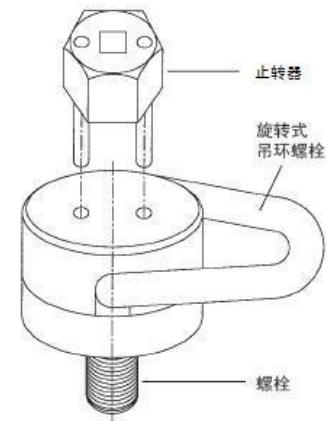
**CARGO-LIFT**  
—Pivoting Lift Ring



**Pivoting Lift Ring** is a low profile lifting device that pivots 180°. It is one of the most economical lifting products available and is ideal for applications that do not require a rotating action. This Lift Ring is easy to install and is available in five sizes. Load ratings range from 2,000 - 20,000 lbs. The product is manufactured from alloy steel, heat treated and magnafluxed. Note: Mounting Bolts are not supplied with product.

**Product features**

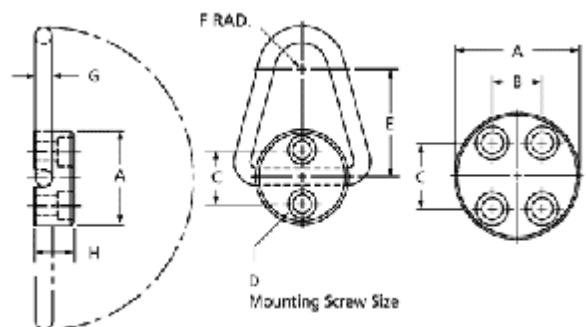
- \*Anti- abrasion design
- \*Rotate 360°, pivots 180°
- \*Eliminate the bending problems of ring bolt
- \*Max load: 4000lbs(2000kg)
- \*Economical
- \*Block: Precision Machined Alloy Steel
- \*Ring: Alloy Steel forging, heat treated, magnafluxed and certified
- \*Fish: Black Oxide
- \*Rated at 6:1 Strength Factor



**Specification**

Different mounting Bolts of the **Pivoting Lift Ring** are optional

Model	Mounting Ring No.	Bolt Spec (inch)
47421	47411	5/16-18×11/4
47422	47412	3/8-16×11/2
47423	47413	1/2-13×13/4
47424	47414	1/2-13×21/2
47425	47415	5/8-11×21/2





**UNITED-PORTS**  
One Call, Total Delivery

### Pivoting Lift Ring

Model	Load Capacity (Kg)	Mounting Dim (Inch)	A (Inch)	B (Inch)	C (Inch)	E (Inch)	F (Inch)	G (Inch)	H (Inch)
47411	900	5/16-18×11/4	45	-	25.4	51	13	8	19
47412	1100	3/8-16×11/2	57	-	28.6	64	16	10	22
47413	2250	1/2-13×13/4	64	-	38.1	76	19	13	29
47414	5400	1/2-13×21/2	80	31.8	41.3	102	22	19	35
47415	9000	5/8-11×21/2	92	31.8	52.4	127	25.4	25.4	48

### Contact us



#### **United-Ports (Shanghai) LTD.**

Add: No. 3293, South Hongmei Rd,  
Minhang District, Shanghai, China

TEL: 86-21-34634180

FAX: 86-21-34625293

Web: [www.cargo-protec.com.cn](http://www.cargo-protec.com.cn)

Mail: [info@united-ports.com](mailto:info@united-ports.com)