



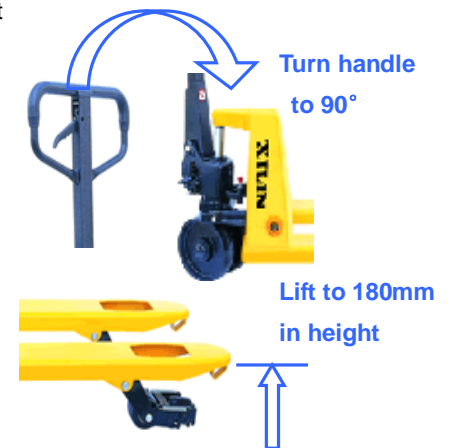
CARGO-MOVE
— Traverse Pallet Truck



Traverse Pallet Truck is designed for moving long loads down narrow path or channels. It is not common pallet truck with its main feature of traverse movement —directly lateral movement and longitudinal movement.

Product features

- *Bidirectional hand hydraulic pallet truck;
- *Directly lateral movement and longitudinal movement;
- *Load capacity: 2500kg longitudinal move /1500kg (Traverse move);



Application

Traverse movement can be realized by first adjusting the truck to over 180mm height, then turning the handle to 90°.

Specification

Model	Min Fork Height (mm)	Max Fork Height (mm)	Fork Length (mm)	Fork Width (mm)	Caster Type	Capacity
BFT	85	200	1150	520	Polyurethane Single Fork Caster	2500 / 1500 Traverse
BFT	85	200	1220	685	Polyurethane Single Caster	2500/ 1500 Traverse
AC-TWO	35	210	1220	685	Polyurethane Single Fork Caster	2500/ 1500 Traverse



UNITED-PORTS
One Call, Total Delivery

Contact us



UNITED-PORTS
One Call, Total Delivery

United-Ports (Shanghai) LTD.

Add: No. 3293, South Hongmei Rd,
Minhang District, Shanghai, China

TEL: 86-21-34634180

FAX: 86-21-34625293

Web: www.cargo-protec.com.cn

Mail: info@united-ports.com